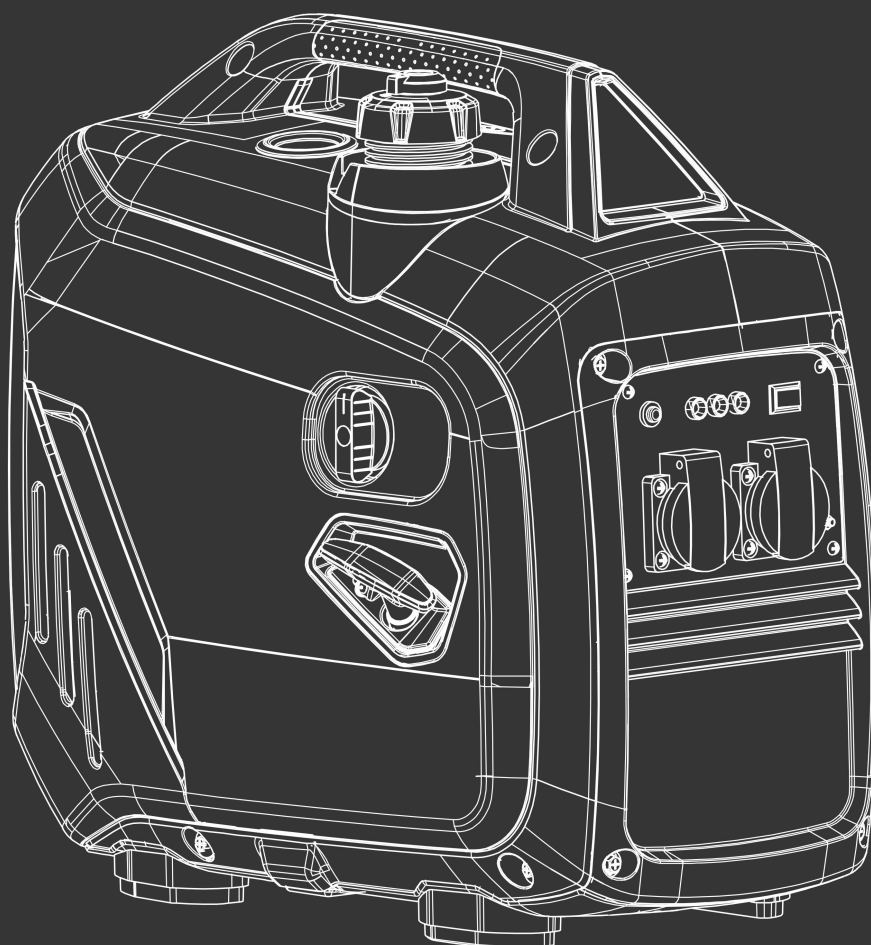


**HYUNDAI**  
POWER PRODUCTS

# **GASOLINE INVERTER GENERATOR** (LOW VOLTAGE GENERATING SET)

## **HG2000I-C**

### **ORIGINAL INSTRUCTIONS**



**WARNING: Read the instructions carefully before using this machine!**

# CONTENTS

1. SAFETY INSTRUCTIONS.....	3
2. SAFETY WARNING LABEL.....	6
3. COMPONENTS IDENTIFICATION.....	7
4. CONTROL SYSTEM.....	9
5. PREPARATION.....	10
6. GENERATOR USE.....	13
7. STARTING THE ENGINE.....	15
8. MAINTENANCE.....	18
9. TRANSPORTING / STORING.....	21
10. TROUBLESHOOTING.....	23
11. ELECTRICAL DIAGRAMS.....	24
12. TECHNICAL SPECIFICATIONS.....	25
13. DECLARATION OF CONFORMITY.....	26
14. WARRANTY.....	27
15. PRODUCT FAILURE.....	28
16. WARRANTY EXCLUSIONS.....	29

# 1. SAFETY INSTRUCTIONS

## **WARNING:**

- 1) Attention! Exhaust gases are toxic. Do not operate the generator in a room without ventilation system!
- 2) Children should be protected by keeping them at a safe distance from the generator set!
- 3) Refilling of the generating sets are not allowed during the operation!
- 4) If the generator will be mounted in a closed room, relevant safety regulations against fire and explosion should be followed!
- 5) Do not connect to household circuit!
- 6) Do not use in wet condition!
- 7) Keep in flammable away!
- 8) When refueling:
  - a) stop engine;
  - b) no smoking;
  - c) do not spill.

## **GENERAL SECURITY INSTRUCTIONS**


- The operator must know the principles of functioning and the structure of the generator and the motor. He must know how to stop the motor in case of urgency and how to manipulate the controls.
- Never let children use this device.
- Never let people who do not know these instructions use this device. Local regulations may impose restrictions on the age of the user.
- Please do not use this device when people, especially children, or pets are nearby. Direct them away from the working area.
- The operator or the user are responsible for possible accidents or damage to other persons or to their property.
- Do not wear loose clothing or jewellery as this can get caught in the machinery as it runs.
- Use safety equipment. Wear protective gear such as an anti-dust mask, non-slip safety shoes, a helmet or hearing protection.
- Stay vigilant, watch what you are doing and show good sense when you use the generator. Do not use if you are tired or under the influence of drugs, alcohol or medicines.
- Install the generator in a place that is well ventilated and make sure that there is at least 1.5 meters between the generator and the walls of the building or other equipment. Do not place flammable liquids or gases near the generator.
- Do not run the generator in an enclosed or badly-ventilated space. The exhaust gas from the motor contains carbon monoxide which is toxic and may lead to a loss of consciousness or death.
- Run the generator in respect of the power indicated in the user's manual. Do not run the generator with an overload or at excessive speed.
- The silencer of the generator becomes extremely hot when the motor runs or even for a time after it has stopped. Do not touch it as it will burn you.
- Do not transport or move the generator until it has cooled down.
- Perform periodic maintenance and resolve problems that appear immediately. Do not run the generator before correcting any fault detected.
- The generator uses a system of air-cooling, and it is necessary to clean its components regularly, including the grilles, the cover of the fan and the fan itself so as to ensure cooling.
- Keep the fuel filter clean, and change the oil of the motor regularly.
- Periodically check the installation of the connections and the tightness of the fixations, re-tightening them if necessary.

- Clean the components of the air filter periodically, and replace the air filter when necessary.
- Remove any electrical equipment that is plugged in before starting or stopping the generator.
- Before transporting the generator, you must empty the fuel tank.
- Maintenance and repair of the generator must be carried out by a qualified technician from an authorized after-sales service centre.

### **WARNING:**

when you start the generator with the cord, watch out for sudden changes in the rotation of the motor!!! Risk of wounding!!! Never cover the generator when it is running. The cut-out mounted on the generator has the aim of reducing the risk of electric shock. If it needs to be replaced with another cut-out, the latter must correspond to the technical specifications of the generator. Due to important mechanical constraints, it is necessary to use a flexible sheathed cable with a strong rubber protective layer (conforming to IEC 245-4) or a similar cable. If using an electrical extension cable, the total length of the extension must not exceed 60m when the section of the wire is 1.5mm<sup>2</sup> and must not exceed 100m when the section of the wire is 2.5mm<sup>2</sup>.

### **SECURITY MEASURES WHEN FILLING THE FUEL TANK**

- The fuel is extremely flammable and poisonous.
- This generator only uses petrol (gasoline); any other kind of fuel will damage the motor.
- Do not overfill the tank with petrol to avoid spilling. If you notice a spill, it must be wiped up completely with a dry cloth before starting the motor.
- If you swallow fuel by mistake, if you inhale fuel vapors or if you get drops of fuel in your eyes, see a doctor immediately. If a certain quantity of fuel is split on your skin or clothing, wash or change your clothes.
- Always stop the motor of the generator when filling it with fuel.
- Never fill the fuel tank while smoking or near a naked flame.
- Make sure you don't spill fuel on the motor and the exhaust grille of the generator during filling with fuel.
- Keep the fuel in an appropriate recipient and sheltered from any sources of fire.
- Carry out filling in a safe place, and slowly open the fuel cap to release the pressure which has built up inside the tank. Wipe up any drops of petrol that have spilled before starting the motor.
- To prevent fire, move the generator at least 4 meters away from the area for filling with fuel.
- Make sure that the fuel cap is tightly closed before starting.
- Do not keep petrol in the tank for a long time.
-  While using or transporting the generator, make sure you keep the generator upright, otherwise the fuel may escape from the carburettor or the fuel tank.



### **ELECTRICAL SAFETY**

Before each use ensure that the load to be connected does not exceed the power of the current produced by the generator.

**To avoid electric shock, you must follow the following instructions:**

- Do not touch the generator with wet hands.
- Do not run the generator under rain or snow.
- Do not run the generator near water.
- Connect the generator to earth. Use a sufficiently thick conductor for the earth wire.
- Do not operate the generator in parallel with another generator.
- If using electrical extensions, make sure that they are sufficiently thick to transport the current and that they are used correctly.



The connection of a generator used for auxiliary power to the electrical installation of a

building must be performed by a qualified electrician, and in conformity to the provisions of the applicable laws and norms in the field of electricity. Incorrect connections will cause leakage of the current from the generator into the lines of the public electricity company. Such leakage could electrocute the workers of the public electricity company working on the network or other persons in contact with the line during a power cut. Also, when the public power supply is re-established, the generator can explode, catch fire or generate fires in the building's electrical installation.



Before connecting electrical devices to the generator, make sure that their voltage specifications and frequency of functioning correspond to the technical characteristics of the generator. There may be damage if the device connected is not designed to function with a voltage tolerance of +/- 10% or a frequency tolerance of +/- 3 % compared with those of the generator.

### **PROTECTION OF THE ENVIRONMENT**

- You must periodically check the silencer (Before doing this, switch off the generator and let it cool completely). A damaged silencer increases noise.
- Do not throw motor oil into the drains but deposit it at a collection point set up for that purpose.
- The fuel for this machine is combustible and explosive. After stopping the machine, you must handle the remaining fuel correctly and meet local environmental requirements
- 
- Additional requirements for low-power generating sets for use by laymen
- Protect children by keeping them at a safe distance from the generating set.
- Fuel is combustible and easily ignited. Do not refuel during operation. Do not refuel while smoking or near naked flames. Do not spill fuel.
- Some parts of the internal combustion engine are hot and may cause burns. Pay attention to the warnings on the generating set.
- Engine exhaust gases are toxic. Do not operate the generating set in unventilated rooms. When installed in ventilated rooms, additional requirements for fire and explosion protection shall be observed.
- Before use, the generating set and its electrical equipment (including lines and plug connections) should be checked to ensure that they are not defective.
- Protection against electrical shock depends on circuit breakers specially matched to the generating set. If the circuit breakers require replacement, they should be replaced with a circuit breaker having identical ratings and performances characteristics.
- Due to high mechanical stresses, only tough rubber-sheathed flexible cable (in accordance with IEC 60245-4) or the equivalent should be used.
- The user shall conform to regulations of electrical safety applicable to the place where the generating sets are used.
- The user must respect the requirements and precautions in the case of resupply by generating sets of an installation, depending on existing protective measures in this installation and applicable regulations.
- Generating sets should only be loaded up to their rated power under the rated ambient conditions.
- Prior to commencing maintenance work it shall be ensured that untimely start-up is not possible.

## 2. SAFETY WARNING LABEL

Safety warning label:



Guaranteed sound power level



**NOTICE**

ENGINE MUST BE FILLED WITH OIL BEFORE STARTING.

OPERATING THE UNIT WITHOUT OIL WILL DAMAGE THE ENGINE.

CONSULT OPERATOR MANUAL.

**NOTICE**

SILNIK NALEŻY NAPEŁNIĆ OLEJEM PRZED URUCHOMIENIEM.

UŻYWANIE MASZYNY BEZ OLEJU SPOWODUJE USZKODZENIE SILNIKA.

ZAPOZNAJ SIĘ Z INSTRUKCJĄ OBSŁUGI.

**NOTICE**

LE MOTEUR DOIT ÊTRE REMPLI AVEC DE L'HUILE AVANT LE DÉMARRAGE.

UTILISER LA MACHINE SANS HUILE ENDOMMAGERA LE MOTEUR.

CONSULTER LE MANUEL D'UTILISATION.

**NOTICE**

DE MOTOR MOET VOOR HET STARTEN MET OLIE WORDEN GEVULD.

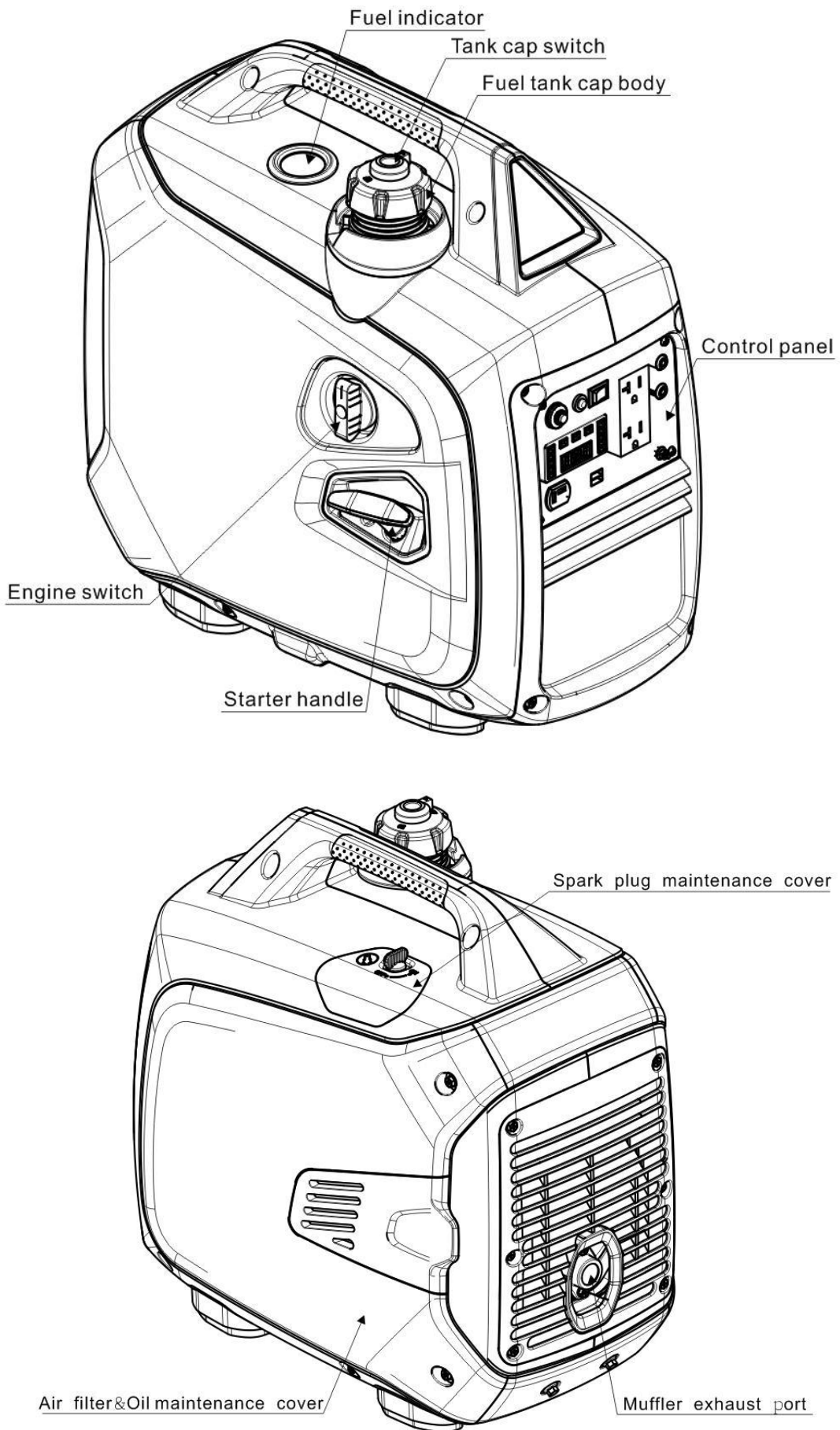
HET GEBRUIK VAN DE MACHINE ZONDER OLIE ZAL DE MOTOR BESCHADIGEN.

RAADPLEEG DE GEBRUIKERSHANDLEIDING.



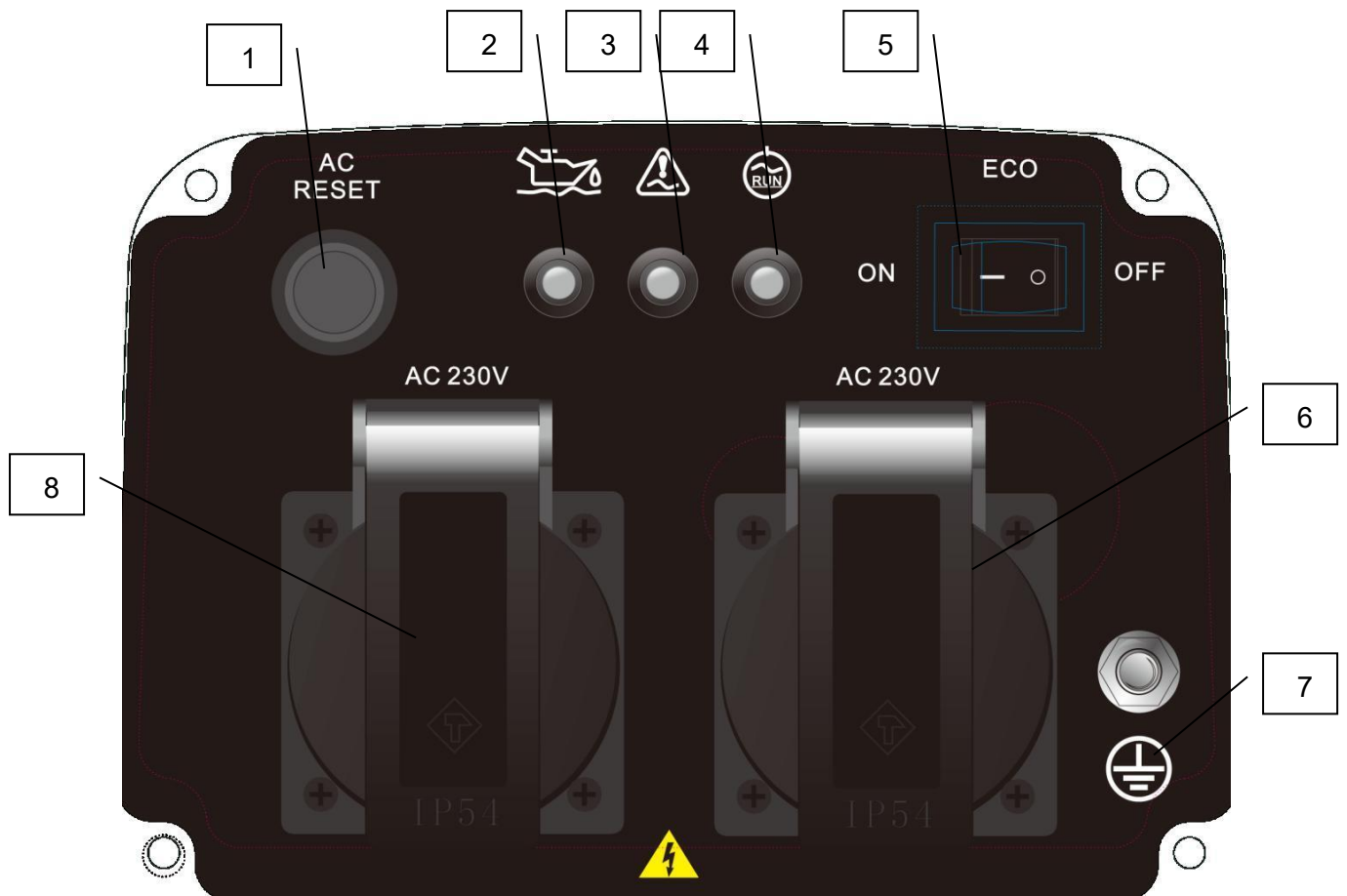
# 3. COMPONENTS IDENTIFICATION

## 3.1 Components Feature



### 3.2 Control Panel

Factory will adjust the panel according to different configuration. Please note that subject to change without prior notice.



1	AC reset	5	ECO switch
2	Low oil indicator (Yellow)	6	AC socket 230V
3	Overload Indicating Light (Red)	7	Ground terminal
4	Running indicator (Green)	8	AC socket 230V



## 4. CONTROL SYSTEM

### 4.1 Engine oil alerting system(YELLOW)

The engine oil protection system will stop the engine automatically, and the engine oil indicating lights, while the oil in crankcase is under safe line; Fill the engine oil to the oil level, it can be restart again.



If the engine oil alerting light flashes for few seconds, it means the oil capacity is insufficient. Refill the oil and restart the engine.

### 4.2 Overload Indicating Light(RED)

When the overload indicating light is on, the generator detects that the output of the phase-side electrical equipment has been overloaded, causing the converter to overheat or the AC voltage to rise. Then the AC protector works and stops the generator to protect the generator and the equipment which connects with it. The AC indicating light(GREEN) is off, but overload indicating light (RED)is on,engine will not stop working.

While the overload light is on, and the generator has no output, please take following measures:

- 9) Turn off the connected electrical equipment and stop engine.
- 10) Reduce the total power rate of connected electrical equipment within the rated output range.
- 11) Check whether the cool air inlet is blocked by foreign matters and whether the relevant control parts are abnormal. If there is any problem, remove it immediately.
- 12) Restart the engine after checking.



**When using the electrical equipment with high starting current(like compressor and sinking pump...), the overload indicating light may will flash for few seconds. But this doesn't belongs to troubles as aforementioned.**

### 4.3 AC Indicating Light (GREEN)

The AC indicating light will be on while the engine starts and keep normal output.

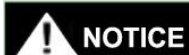
### 4.4 ECO Switch

① "ON"

While the ECO switch is on position of "ON", the equipment will control rotating speed according to the connected load, so as to get good fuel oil consumption and low noise.

② "OFF"

While the ECO switch is on position of "OFF", whether it connects with load, the engine also runs at a rated rotating speed.



**Cause it needs heavy start current, ECO switch must be off while using compressor.**

### 4.5 Ground Terminal

The ground terminal is connected to the ground wire to prevent electric shock. The generator should be connected to ground while the electrical equipment connecting to ground.

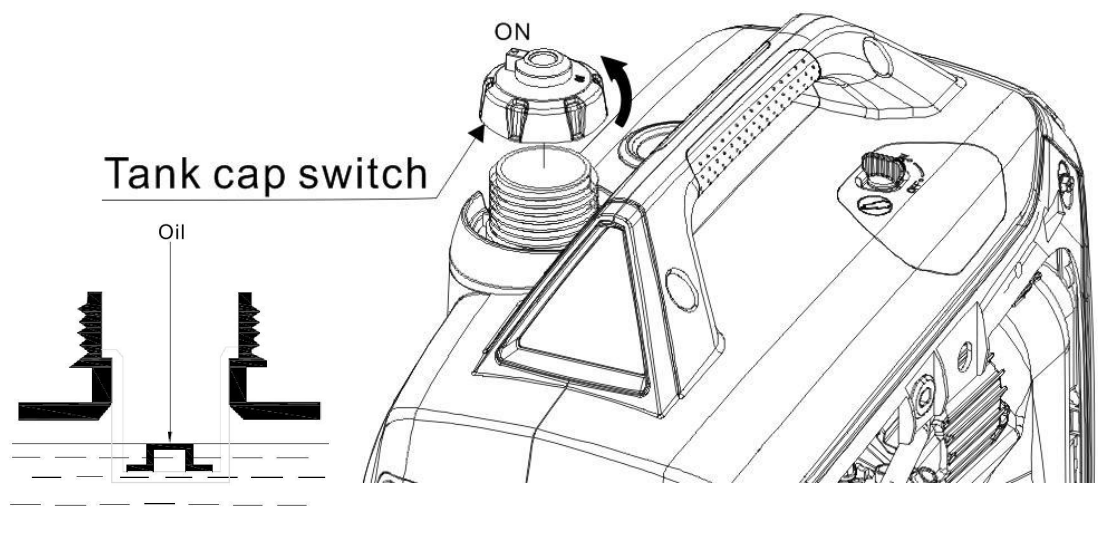
## 5. PREPARATION

### 5.1 Fuel Oil

- Please use unleaded gasoline, E10 or higher level.
- Do not use a mixture of oil and gasoline or dirty gasoline.
- Prevent dirt and water from entering the tank.
- Do not use gasoline containing more than 10% ethanol or gasoline containing methanol, otherwise the engine will be seriously damaged.

#### WARNING

- Under certain circumstances, gasoline is extremely flammable and explosive.
- Please refuel in a well-ventilated place and shut down the engine.
- No pyrotechnics are allowed in the engine refueling area and gasoline storage area.
- Gasoline shall not overflow the tank (the oil level is lower than the red oil level indicator). After refueling, tighten the tank cover.
- After refueling, dry the remaining gasoline with a clean and soft cloth.
- Avoid prolonged, repeated contact with gasoline or inhalation of gasoline vapor.
- Do not allow children to touch gasoline.
- Tank capacity: 4.0L

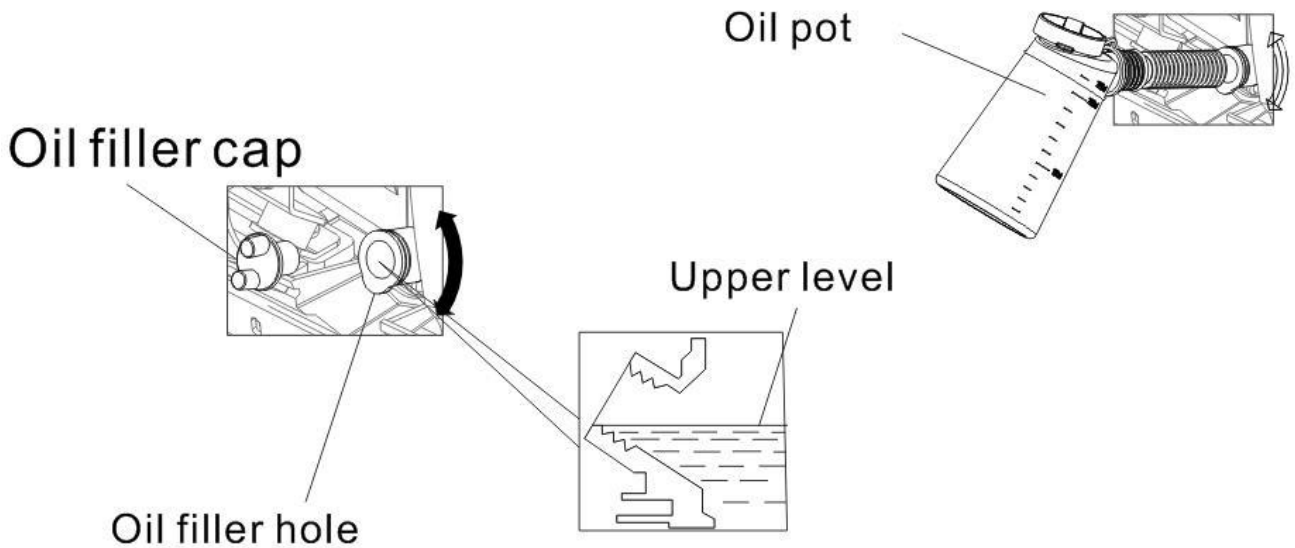


### 5.2 Engine Oil

#### NOTICE

The generator is not injected with engine oil when leaving the factory. Please do not start it before injecting enough engine oil.

Remove the dipstick and wipe it with a clean cotton cloth. Rerotate into the crankcase and remove. Check the oil level. If the oil level is below the oil gauge indicator line, please add engine oil. capacity: 0.35L



**! WARNING**

- Do not use 2-stroke oil or detergents-free oil, otherwise the engine life will be shortened.
- Use high-quality 4-stroke oil that meets or exceeds the SG,SF classification of the American Petroleum Association required by American automakers.
- Select oil suitable viscosity according to the average temperature in your area.
- The SAE viscosity grade is shown in the following table:

Environmental temperature	Oil type
-25°C-30°C	10W-30
-15°C-40°C	15W-40

**! WARNING**

Store and use oil carefully to prevent dirt or dust from falling into the oil. When adding oil, wipe the area around the refueling opening. Do not mix different specifications of oil to prevent negative effects on oil performance.

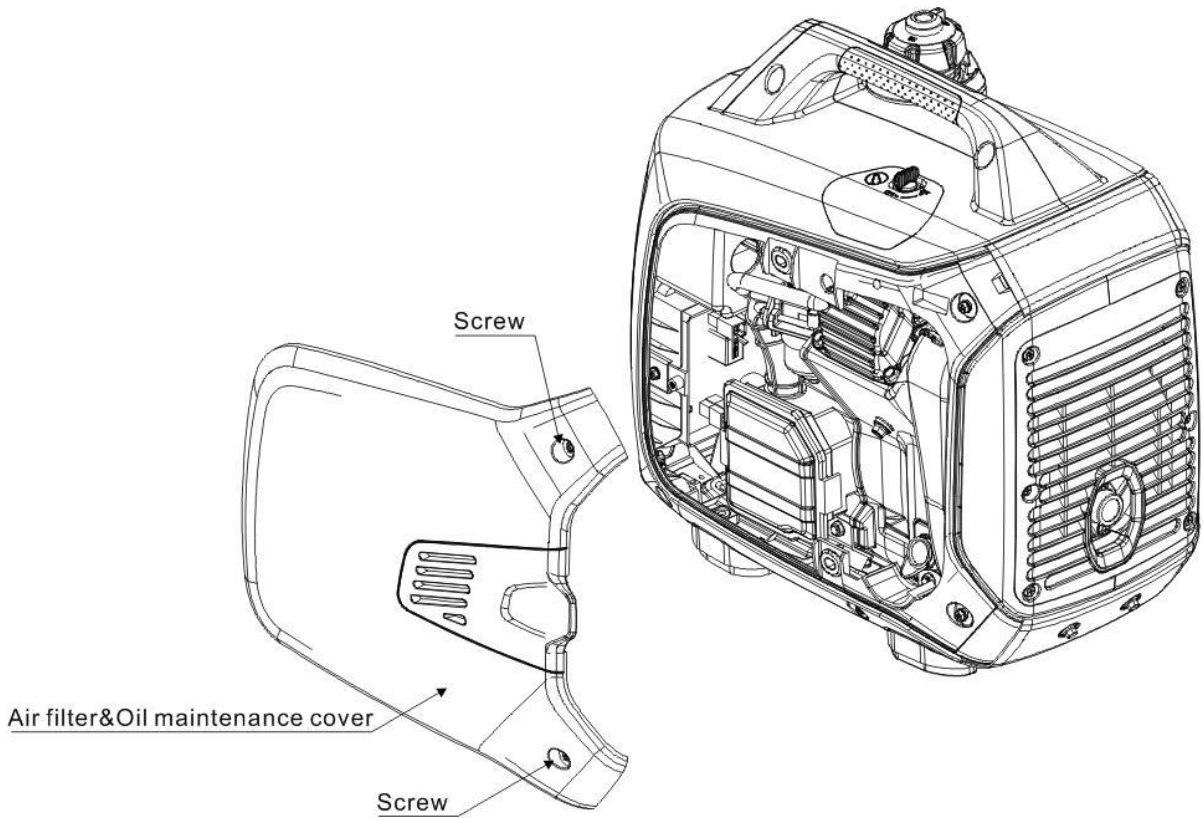
**! WARNING**

- Running the engine when the oil level is low can seriously damage the engine.
- The engine oil alarm system automatically shuts off the engine before the oil level is lowered to safety limits. However, in order to avoid inconvenience caused by unexpected shutdown, we recommend that you check the oil level regularly.

### 5.3 Check air cleaner

Check the air filter to make sure it is clean and functional.

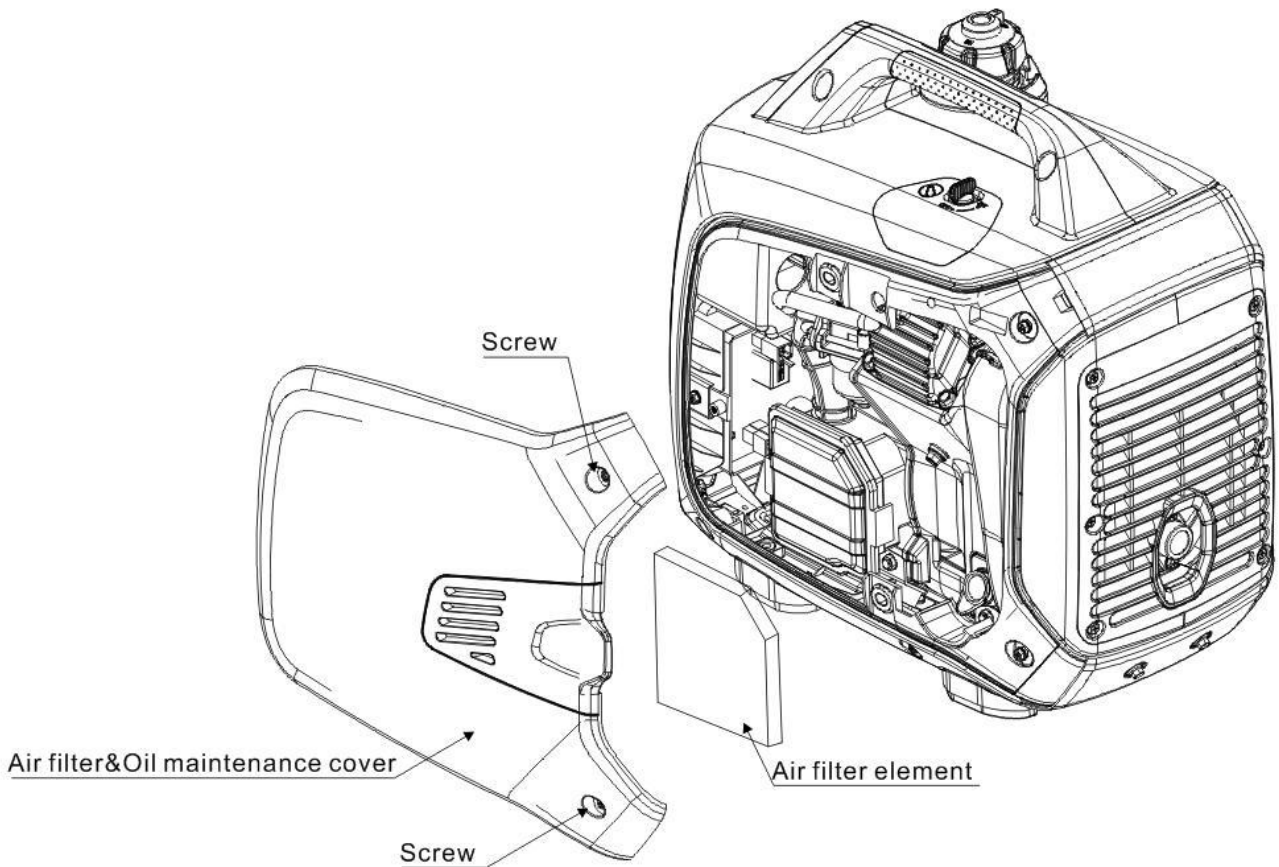
- Loosen the air cleaner maintenance cover screw and remove the air filter maintenance cover.



- Snap open the Air Cleaner cover, and remove it.
- Take out the air filter element. If necessary, clean or replace the filter element.

**⚠ WARNING**

- The engine is not allowed to run without an air filter element, otherwise the dirt will enter the engine through the carburetor and cause rapid wear and tear.



# 6. GENERATOR USE

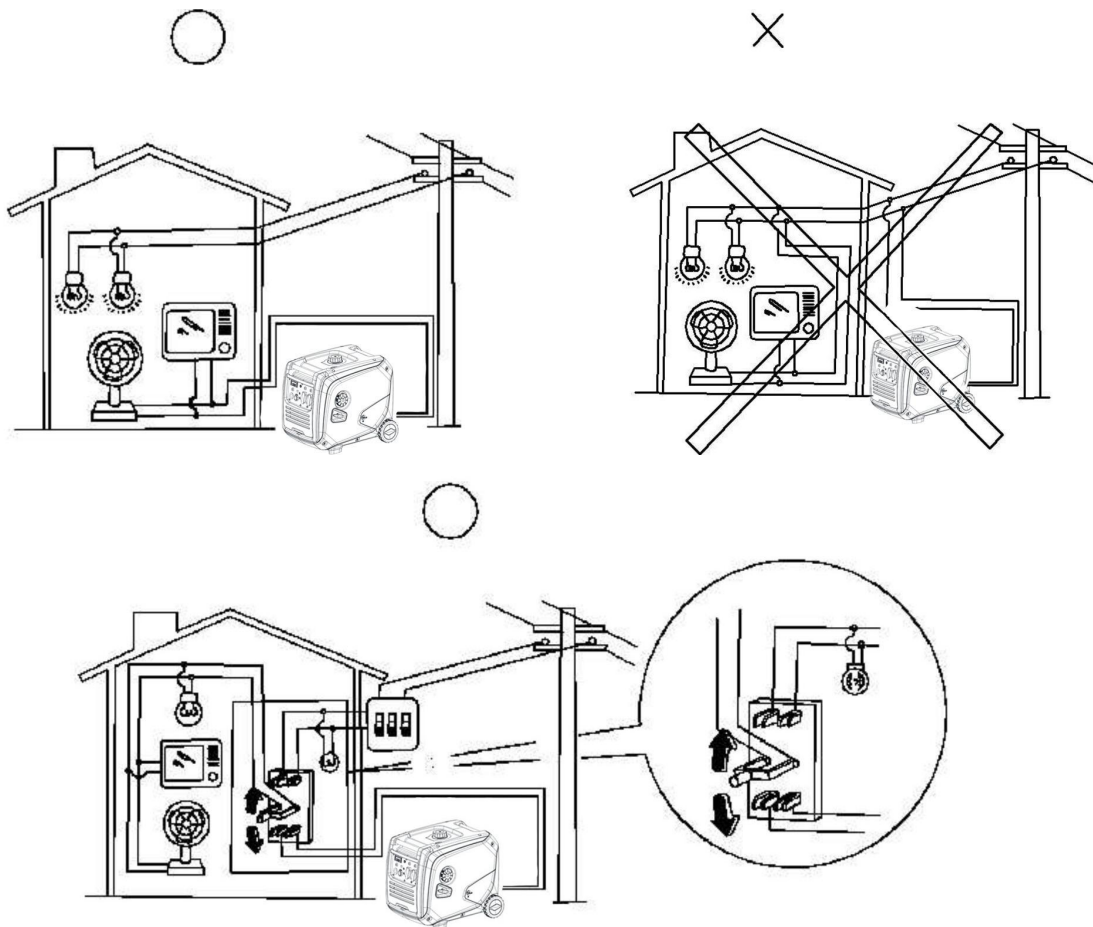
- Applicable temperature:  $-5^{\circ}\text{C} \sim 40^{\circ}\text{C}$
- Applicable humidity: below 95%
- Applicable altitude: areas below 1000 meters (If you operate your engine at altitudes above 1000 meters, reduce the engine power or modify the carburetor by contacting the suppliers.

## 6.1 Connect to Household Power Supply



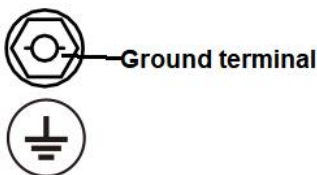
When the generator is connected to the household power supply as a standby power supply, it should be connected by a special electrician or someone familiar with the electricity.

After connecting the load to the generator, carefully check whether the electrical connection is safe and reliable. If there is incorrect electrical connection, it may cause generator damage, combustion or fire.



## 6.2 Generator Grounding

In order to prevent the generator from being damaged by electric shock or misuse of inferior electrical appliances, the generator should be grounded by a good insulated conductor.



## 6.3 AC Power

Before starting the generator, it should be confirmed:

The total power of all electrical appliances (the sum of resistance, capacitance and inductive load)

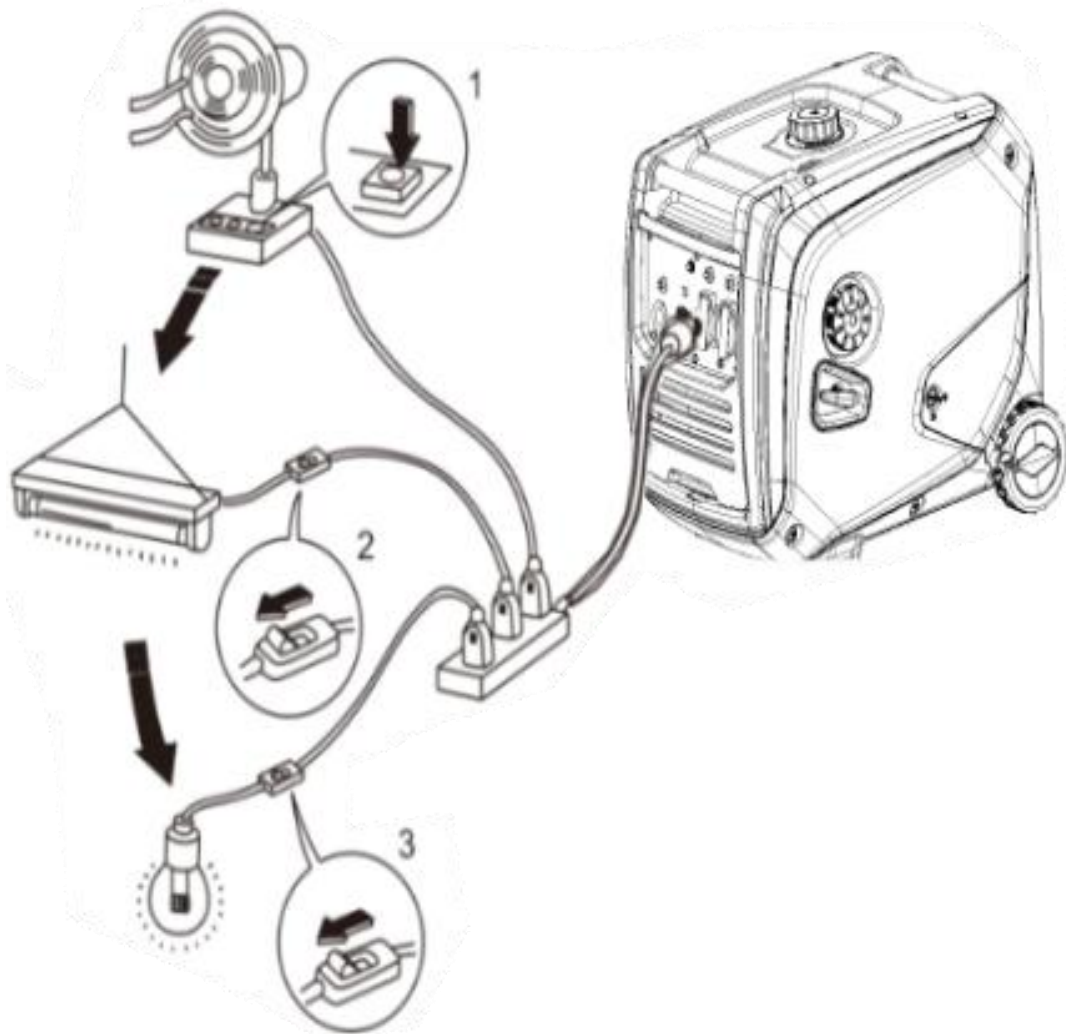


shall not exceed the rated power of the generator.

**! NOTICE**

Overload operation will lead to generator stalling or greatly shorten the life of the generator. If there are multiple loads or electrical equipment connected to the generator set, please keep in mind that: first turn on the highest starting load, then turn on the second, and finally turn on the lowest starting load.

Generally speaking, capacitive and inductive loads, especially motor drive devices, will cause large starting current when starting.



This engine may require a high altitude carburetor kit to ensure correct engine operation at altitudes above 1000 meters. The performance of a gasoline engine can be improved by replacing a slightly smaller main nozzle on the carburetor or by adjusting the adjustment screw. If you often use generators in areas over 1000 meters, you can buy special high-altitude components for replacement. Otherwise, reduce load power when using generator.

Even with a suitable carburetor, the power of the gasoline engine will decrease by about 3.5% for every 300 meters above sea level. If the carburetor is not replaced properly, the decline will be even greater.

**! NOTICE**

If carburetors suitable for use at high altitudes are equipped with gasoline engines at low altitudes, excessive lean mixture will reduce the output power of gasoline engines, cause overheating and even cause serious damage.

# 7. STARTING THE ENGINE

## 7.1 Recoil Start

### NOTICE

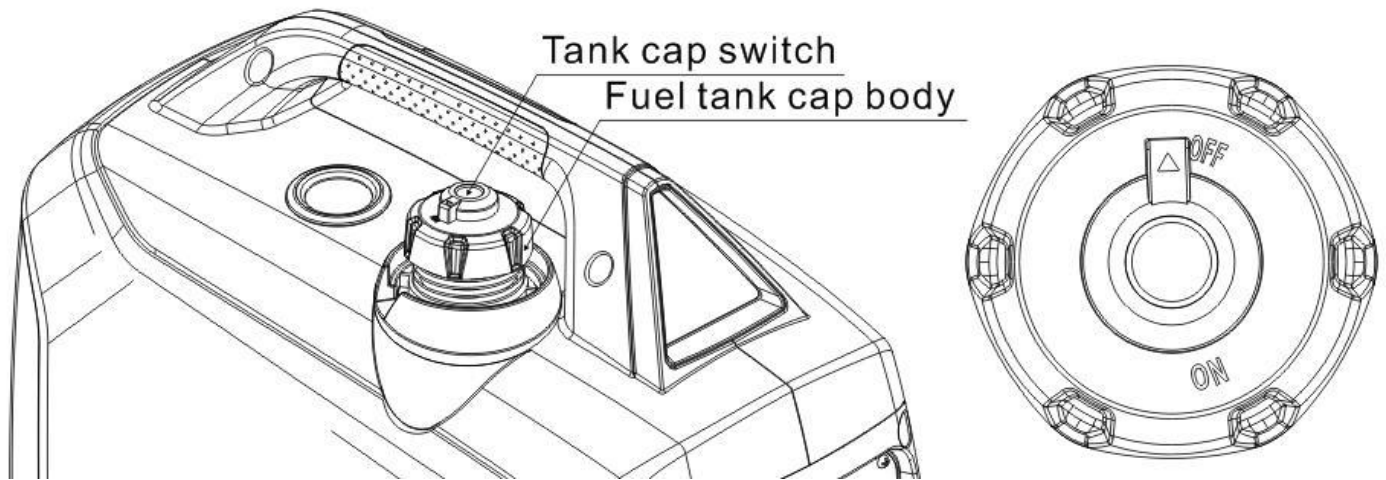
- Disconnect the electrical equipment from the alternator's AC socket before starting the engine.
- For initial use (long unused, start after gasoline is used up), turn the engine switch knob to "ON" position for 10 to 20 seconds before starting, so that gasoline can enter the engine carburetor.

### WARNING

**It is strictly forbidden to use in indoor and closed environment!**

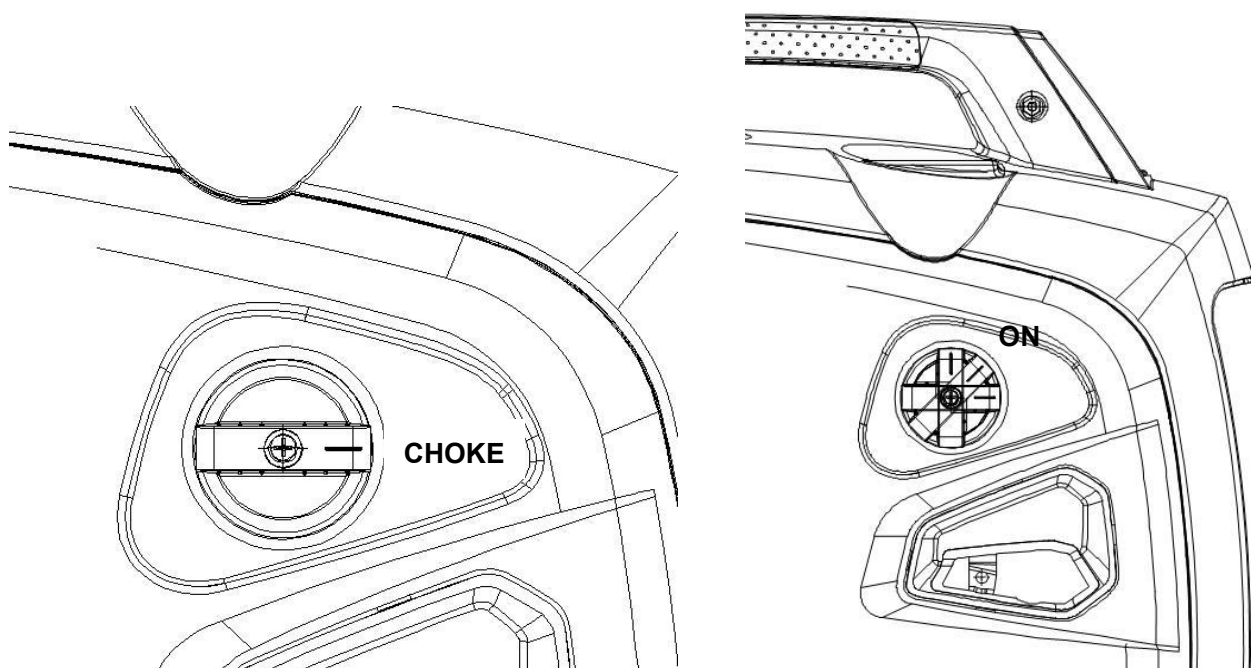
- 1) The tank cap switch rotates to "ON" position.

Note: When the generator is being transported, the oil tank cover switch shall be cranked to the position of the "OFF" .

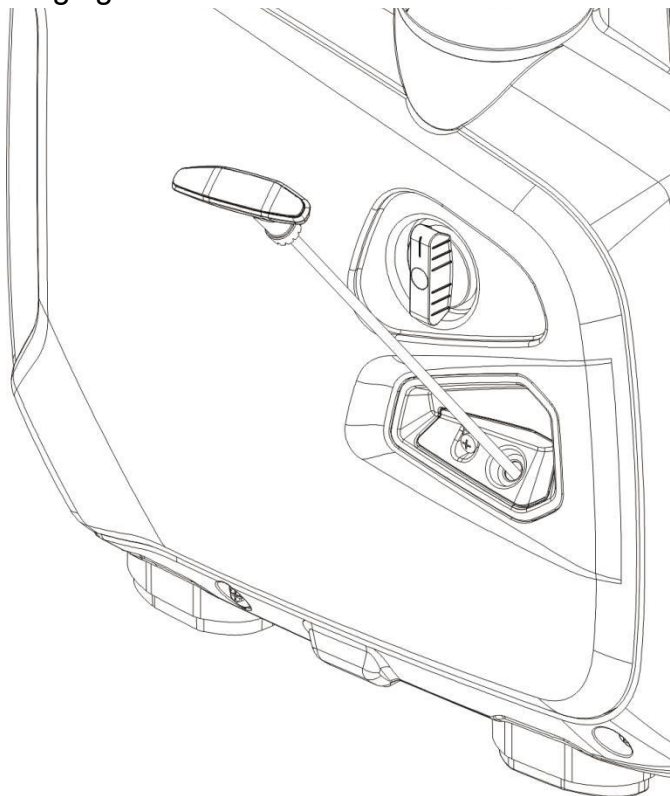


- 2) Crank close the choke knob completely.

Note: when the engine is hotter or the ambient temperature is higher, the choke knob does not need to be closed.

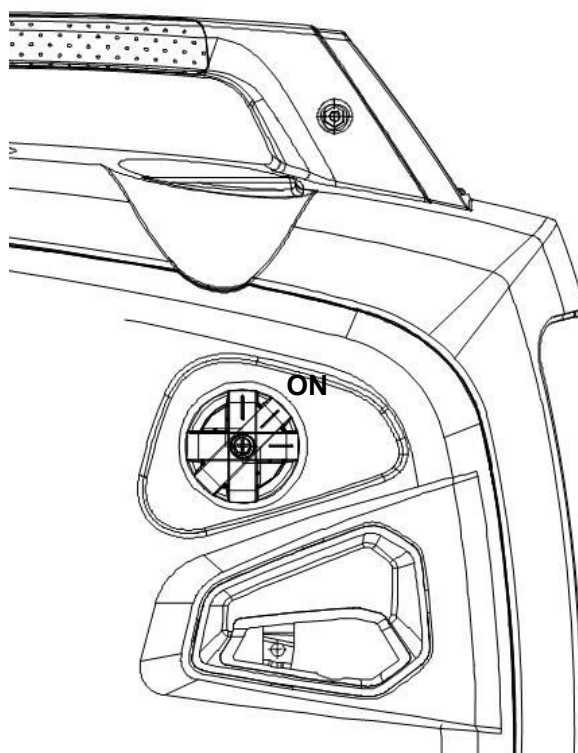


- 3) Gently pull the start handle until the resistance is felt, and then pull it in the direction indicated by the arrow in the following figure.



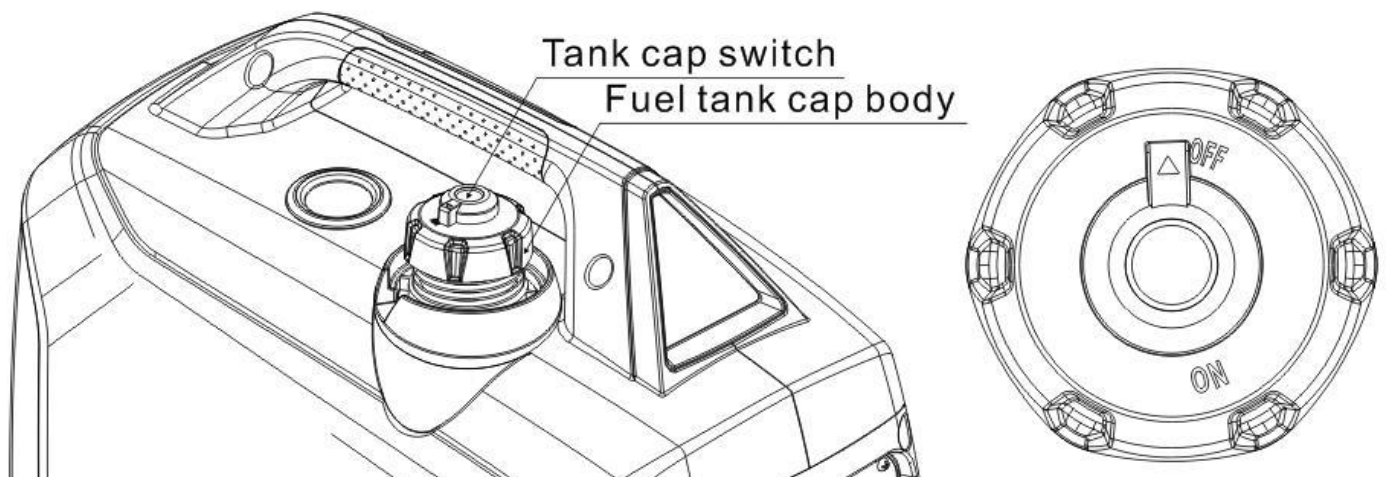
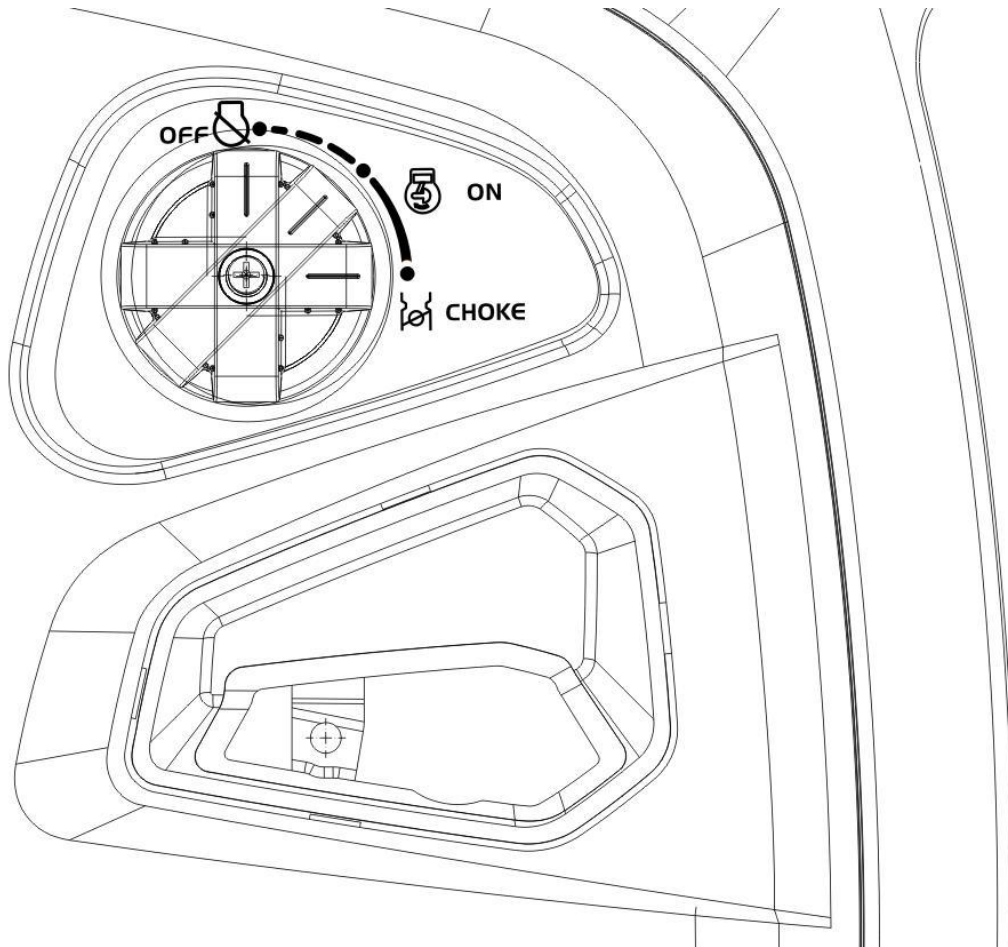
**⚠ WARNING**

- Pay attention to pull the starting handle, the pull angle should not be too large, so as not to wear the housing shell.
  - Do not allow the starting handle to rebound and retract automatically to avoid damage to the shell. Slowly put the starting handle back.
- 4) Turn the engine switch to the running position while the engine is running.



## 7.2 Stopping the Engine

- 1) Turn the ECO switch to "OFF";
- 2) Disconnect any electric devices.
- 3) Turn the engine switch to "OFF";
- 4) The tank cap switch rotates to "OFF" position



### NOTICE

- To stop the engine in an emergency, turn the Engine Switch to the "OFF" position.
- Be sure the Fuel tank cap switch and Engine Switch locate the "OFF" position, when stopping, transporting and storing the generator.



## 8. MAINTENANCE AND STORE

Safety is an obligation of the owner. Periodic inspection, adjustment and lubrication will keep your generator in the safest and most efficient condition possible. In order to keep the engine in good condition, you must check and maintain it regularly. Please follow the schedule below.

### Maintenance Schedule

Regular Service	Period (3)	Each use	First month or 10 hrs	Every 3 months or 50 hrs.	Every 6 months or 100hrs	Every 2 years or 300 hrs.
Item						
Engine oil	Check level	⊙				
	Replace		⊙	⊙	⊙	
Air cleaner	Check	⊙				
	Clean			⊙(1)		
	Replace			⊙		
Spark plug	Check & adjust			⊙		
	Replace					⊙
Spark arrester	Clean		⊙	⊙	⊙	
Valve Clearance	Check & adjust					⊙(2)
Fuel tank & filter	Clean				⊙	
Cylinder Head	Clean	After every 300 hrs(2)				
Fuel hose	Check	Every 2 years ( Replace if necessary)(2)				

(1) Maintenance more frequently when used in dusty or unusually wet areas.

(2) These items should be serviced by your servicing dealer, unless you have the proper tools, data and technical skills.

#### NOTICE

- If you often work at high temperature or high load, you should replace the engine oil every 10 hours.
- If you work in dusty or harsh environments, clean the filter element of the air filter every 10 hours. If necessary, air filter elements should be replaced every 25 hours.
- The inspection period and time should be maintained on a first-come basis.
- If the maintenance cycle has passed, the maintenance should be carried out as soon as possible according to the above table.

#### WARNING

- Stop the engine before starting maintenance work. The engine should be placed horizontally. To prevent the engine from starting, separate the spark plug cap from the spark plug.
- Never operate the engine in a closed area or it may cause unconsciousness and death within a short time. Operate the engine in a well ventilated area.

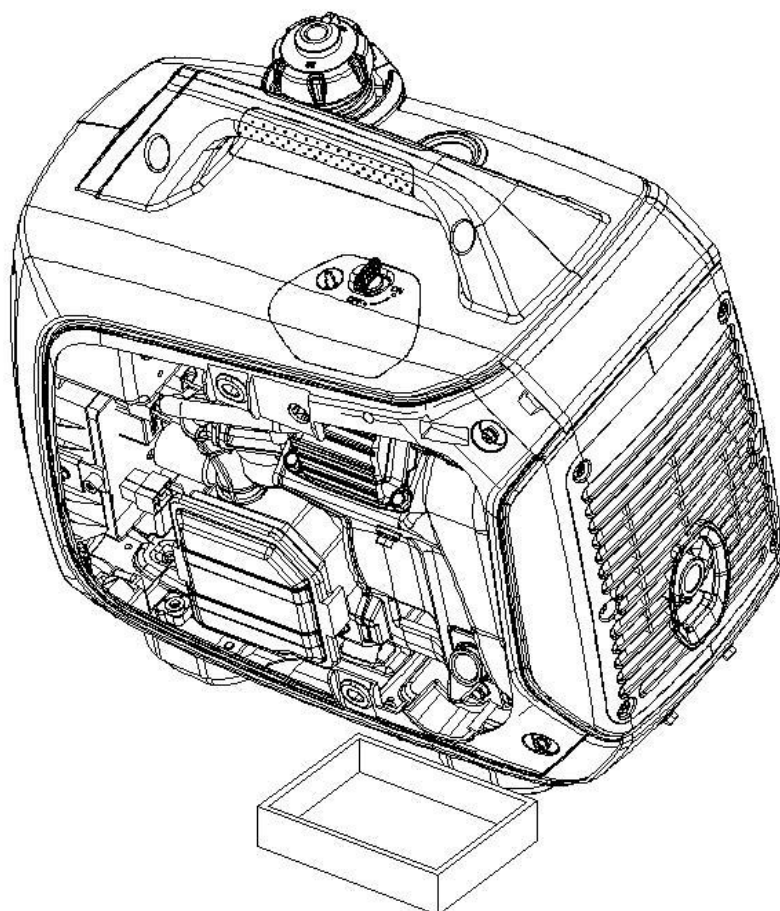
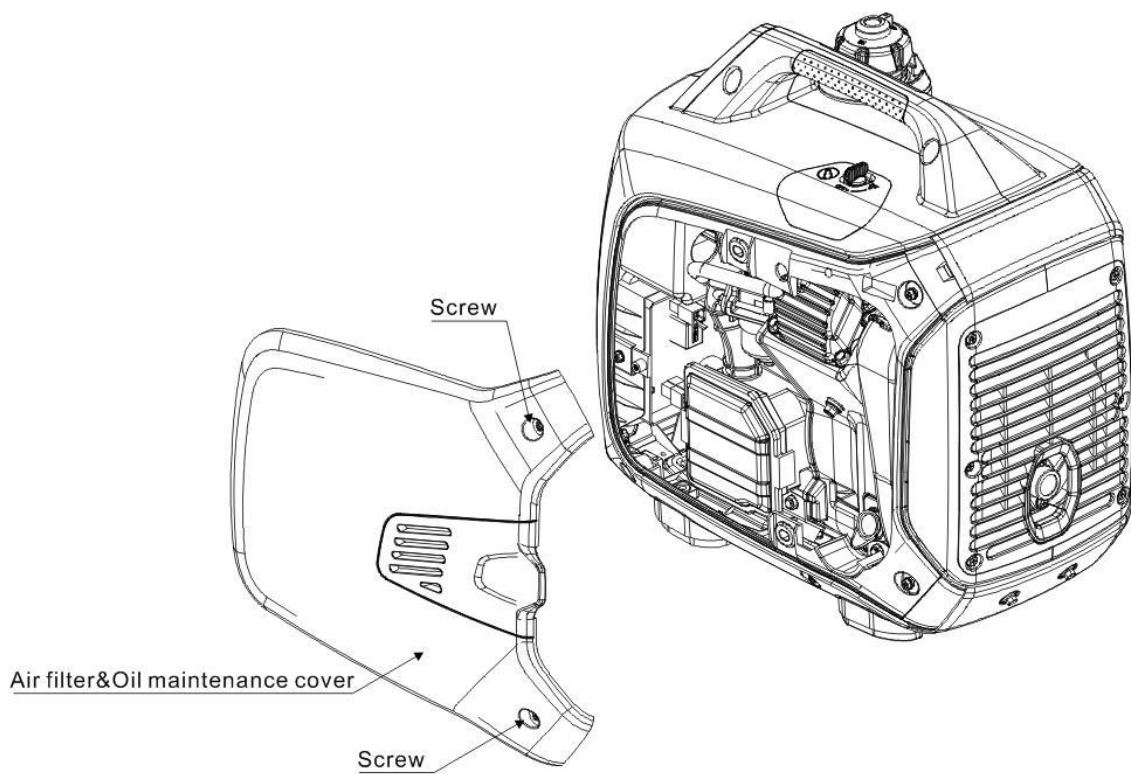
### 8.1 Engine Oil Replacement

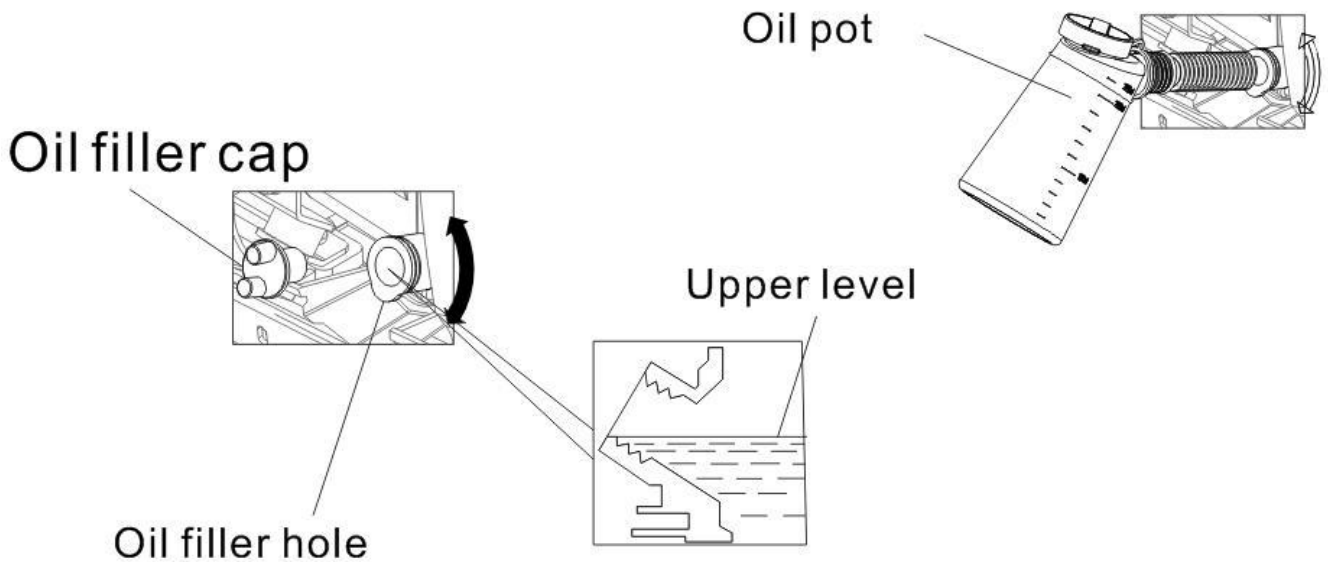
When the engine shut down, the oil should be removed quickly and completely.

- 1).Loosen the air filter maintenance cover screw and remove the air filter maintenance cover.
- 2).Take out the dipstick
- 3).Drain dirty oil.



- 4). Refill the recommended oil and check the oil level.
- 5). Re-install the air filter maintenance cover and tighten the dipstick.





**! WARNING**

For conforming to the environment requirement, the used oil will be put into a sealed container and then be transported to the service station for recycle. Do not throw it into the trash or pour it on the ground.

**8.2 Air Filter Maintenance**

Dirty air filters will affect the flow of air into carburetors. To prevent carburetor breakdown, air filters should be regularly maintained. If it is used in dusty environment, it should be maintained more frequently.

**! WARNING**

Cleaning the filter element with gasoline or flammable solvents may cause fire or explosion. Please use soapy water or non-flammable solvent to clean the filter element.

**! NOTICE**

It is strictly forbidden to start the generator without air filter, otherwise it will lead to rapid wear and tear of the gasoline engine.

- 1) Loosen the maintenance cover screws and remove the maintenance cover.
- 2) Snap open the Air Cleaner cover, and remove it.
- 3) Take out the Air Cleaner element, and clean it with non-flammable or high flash point solvent (for example, kerosene, motorcycle engine oil), then dry it.
- 4) Clean the filter element with clean oil, and squeeze out the redundant oil.
- 5) Re-install the Air Cleaner element and cover
- 6) Re-install the maintenance cover, and tighten the screws.

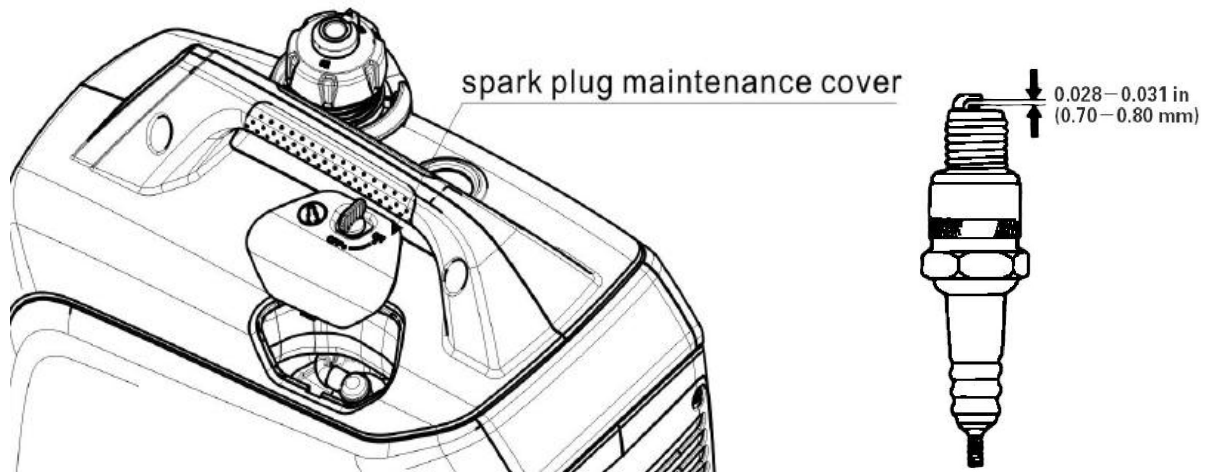
**8.3 Spark plug**

Please replace the spark plug according to the original type: F5RTC

- 1) Remove the spark plug cap.
- 2) Use the spark plug socket wrench to remove the spark plug.
- 3) Visually inspect whether the spark plug insulator is damaged. Replace the spark plug if it is damaged.
- 4) Measure spark plug clearance with thickness gauge. Bend the side electrodes to adjust the clearance. The clearance shall be between 0.70 and 0.80mm.

5) Check that if the spark plug gasket is in good condition.

Install the spark plug, tighten it with the spark plug socket wrench, and press down the spark plug gasket. Cover the spark plug cap.



Please use spark plugs with appropriate calorific value.

## 9. TRANSPORTING / STORING

- Do not overfill the fuel tank. (No residual fuel on the neck of tank)
- Do not use the generator on the transport vehicle. The generator should be removed from the car. The generator should be used under a good ventilated condition.
- Avoid exposing directly in the sunshine.
- When the generator place in the enclosed transport vehicle for a long time. The high temperature inside the vehicle could cause fuel to vaporize resulting in a possible explosion.
- The generator must not be transported a long time on rough road. If you have to drive on a road like this, drain off the gasoline and oil beforehand.
- Storage for a long period:

9.1 Make sure the storage area without excessive humidity and dust.

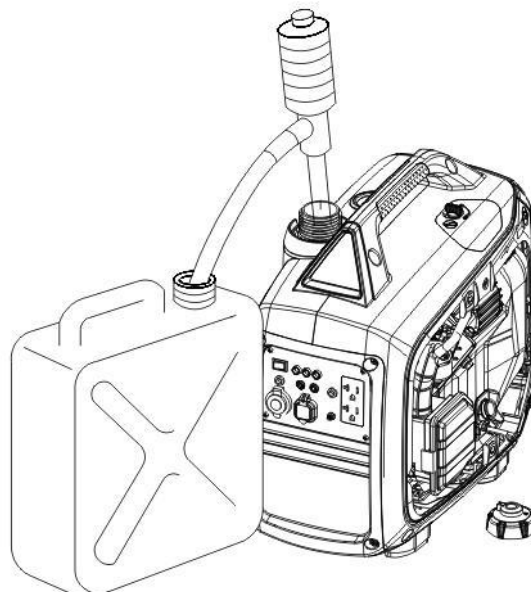
9.2 Drain out of gasoline.



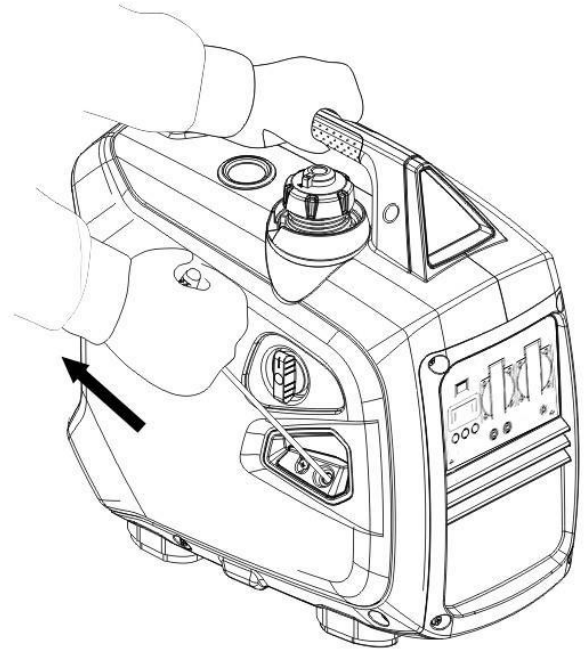
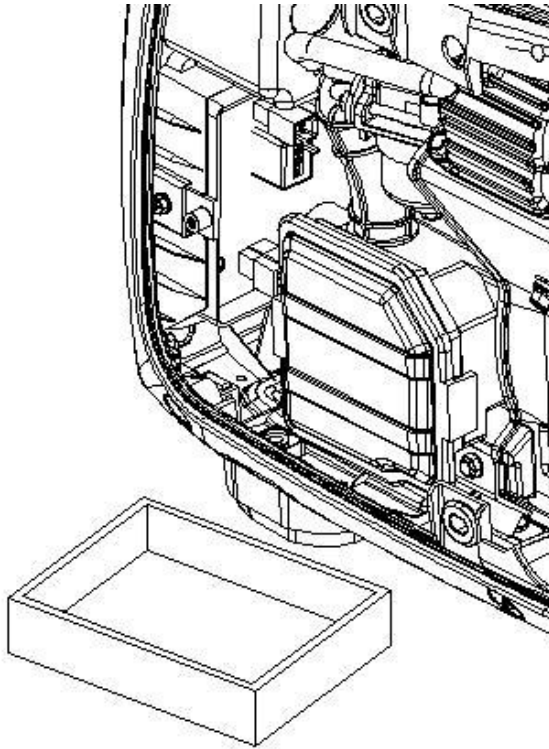
**WARNING**

Gasoline is explosive and flammable in the specified condition. Fireworks are strictly prohibited near gasoline.

1) Drain off the gasoline in the fuel tank, storing into the suitable containers.



- 2) Turn the engine switch to “ON” position, and loosen the carburetor drain screw to discharge gasoline inside of the suitable containers.



- 3) Take off the Spark Plug cap, pull the Starter handle three or four times, discharge the gasoline from the fuel pipe and carburetor.
- 4) Turn the engine switch to “O” position, and tighten the drain screw of carburetor.
- 5) Re-install the Spark Plug cap.

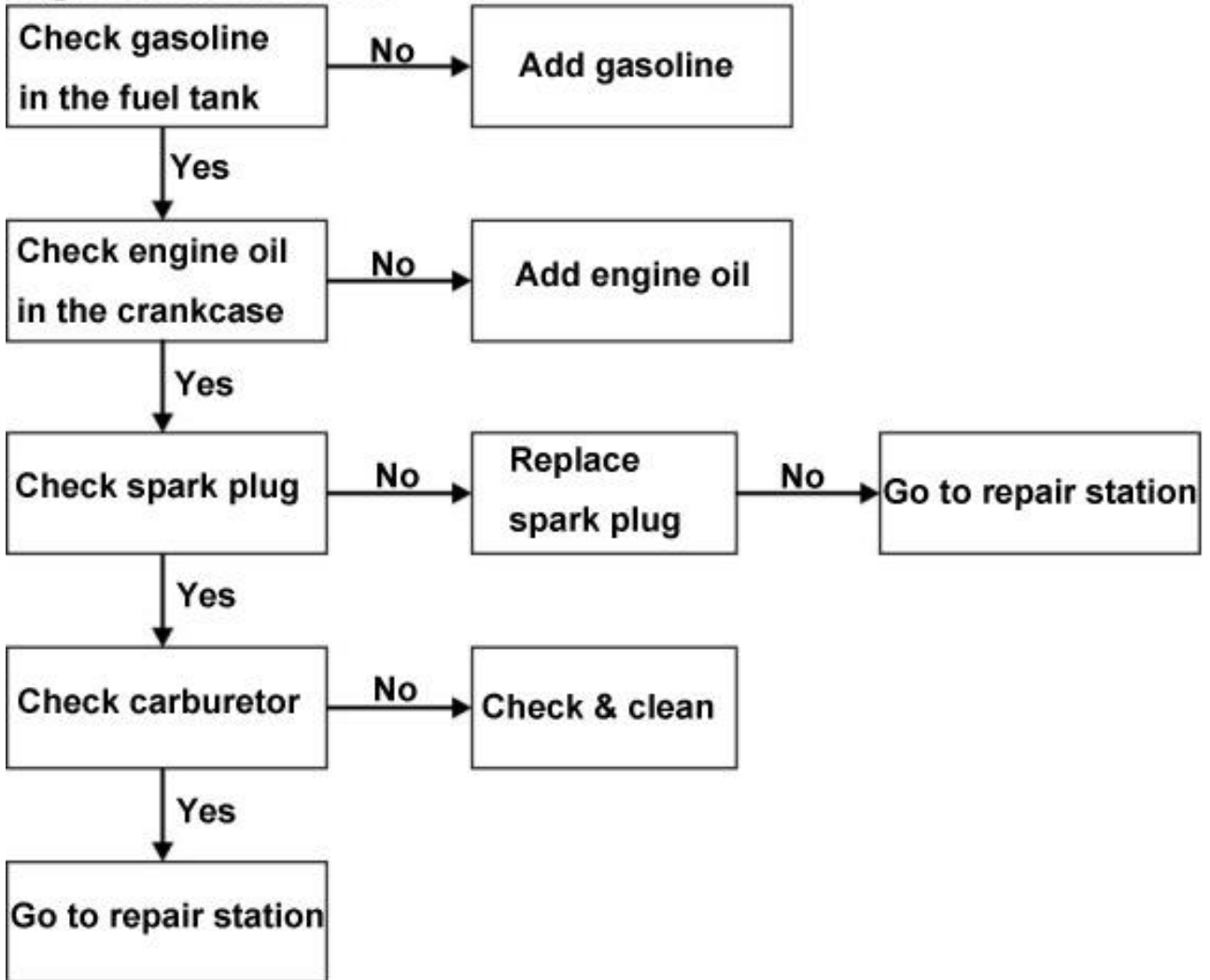
### 9.3 Change the engine oil

9.4 Remove the Spark Plug, and fill 10-20ml engine oil into the cylinder. Crank the engine several times to distribute the oil, and Re-install the Spark Plug.

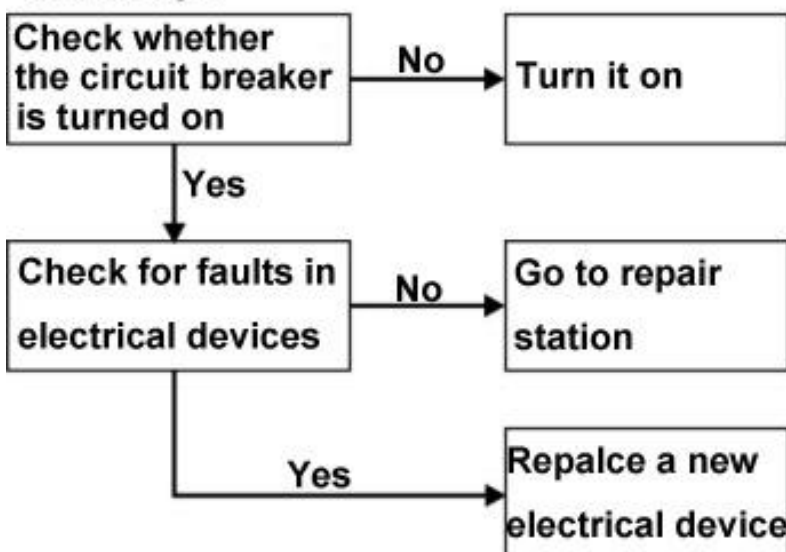
9.5 Pull the Starter handle slowly till resistance is felt. At this point, the piston is coming up on its compression stroke and both the intake and exhaust valves are closed. In this position, it helps to protect the engine from internal corrosion.

# 10. TROUBLESHOOTING

Engine can't be started:



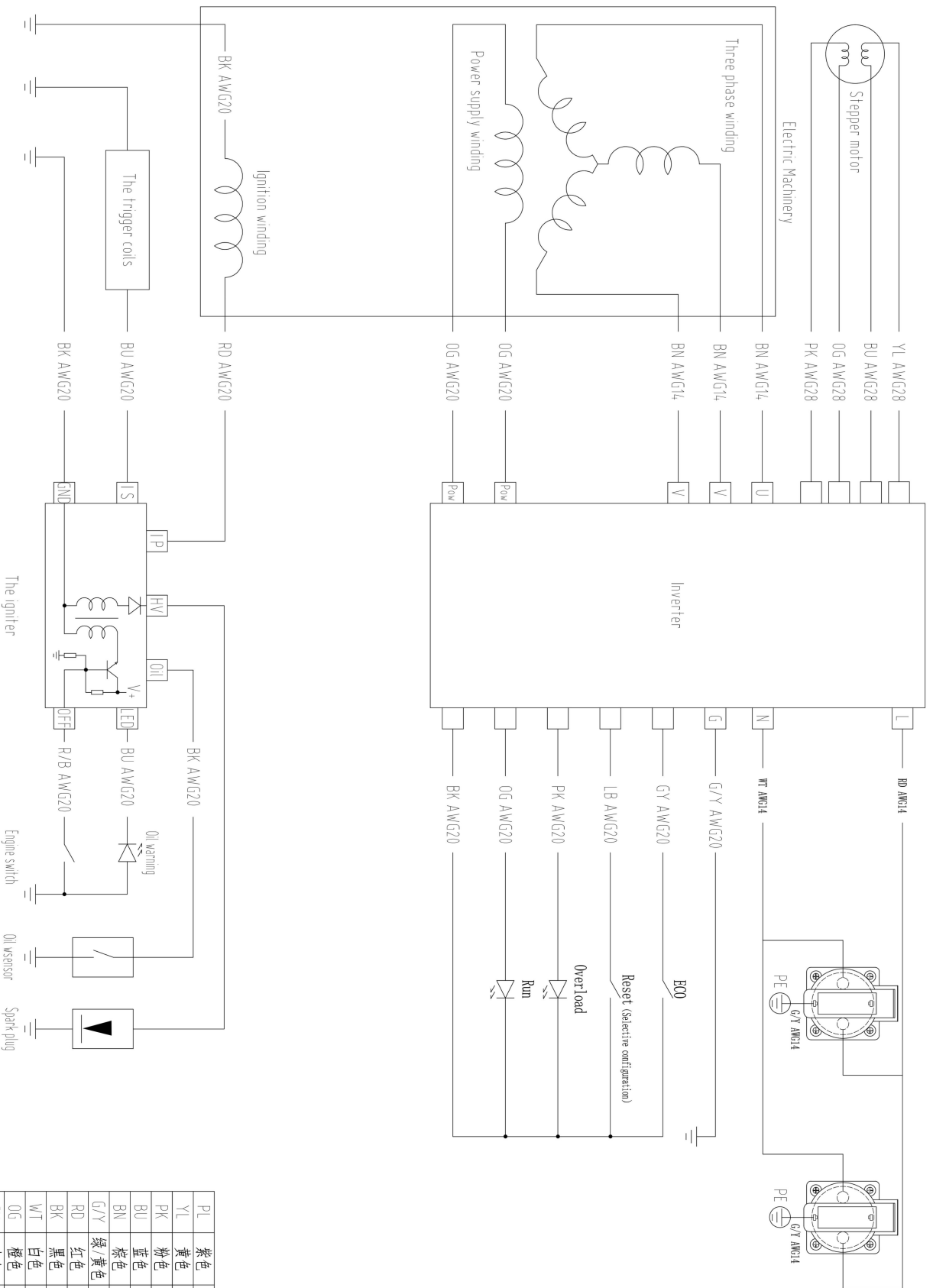
No voltage





# 11. ELECTRICAL DIAGRAMS

## ELECTRICAL DIAGRAMS



PL	紫色	Purple
YL	黄色	Yellow
PK	粉色	Pink
BU	蓝色	Blue
BN	棕色	Brown
G/Y	绿/黄色	Green/Yellow
RD	红色	Red
BK	黑色	Black
WT	白色	White
OG	橙色	Orange
GY	灰色	Gray
R/B	红/黑色	Red/Black
W/B	白/黑色	White/Black

## 12. TECHNICAL SPECIFICATIONS

	Model	HG2000i-C
Engine	Engine Type	Single Cylinder, 4 Stroke, Air Cooling
	Displacement	80 cm <sup>3</sup>
	Ignition System	Spark ignition
	Starting Type	Recoil Start
	Oil Capacity	0.35 L
	Measured sound power level, LwA	87.44dB(A), K =1,13dB(A)
	Guaranteed sound power level	89 dB(A)
Generator	Fuel tank Capacity(L)	4 L
	Frequency(Hz)	50Hz
	Phase	Single
	Rated Voltage(V)	230V
	Rated Power(kW)	(COP) 1,8kW
	Max. Power(kW)	Max 2,0kW
	Rated current(A)	7,8A
	Performance class	G1
	Quality class	A
	Max. temperature	40°C
	Max. altitude	1000 m
	Protection class	IP23M
	Dimension (L*W*H)	48*28.5*46cm
	Net weight	18kg

# 13. DECLARATION OF CONFORMITY



BUILDER SAS  
ZI, 32 RUE ARISTIDE BERGES – 312070 CUGNAUX – FRANCE

Declares that the machinery designated below:  
GASOLINE INVERTER GENERATOR:  
HG2000i-C

Serial number: [20230218716-20230219041](#)

Complies with the provisions of the Directive “machinery” 2006/42/CE and national laws transposing it:

Also complies with the following European directives:

EMC Directive 2014/30/EU;

ROHS Directive (EU)2015/863 amending 2011/65/EU

Emission directive (EU) 2016/1628

Noise directive 2000/14/CE Annex VI + 2005/88/CE

Also complies with European standards, with national standards and the following technical provisions:

EN ISO 8528-13:2016;

EN 55012:2007/A1:2009

EN 61000-6-1:2019

Measured sound power level, LwA: 87.44 dB(A), K = 1.37dB(A)

Guaranteed Sound power level: 89dB(A)

Notified Body : TÜV Rheinland LGA Products GmbH

Tillystraße 2, 90431 Nürnberg, Germany

(NB 0197)

Responsible for the technical file: Michel Krebs

Done at Cugnaux, 22/12/2023

Philippe MARIE / PDG

## 14. WARRANTY

# HYUNDAI

## WARRANTY

The manufacturer guarantees the product against defects in material and workmanship for a period of 2 years from the date of the original purchase. The warranty only applies if the product is for household use. The warranty does not cover breakdowns due to normal wear and tear.

The manufacturer agrees to replace parts identified as defective by the designated distributor. The manufacturer does not accept responsibility for the replacement of the machine, in whole or in part, and/or ensuing damage.

### The warranty does not cover breakdowns due to:

- insufficient maintenance.
- abnormal assembly, adjustment or operations of the product.
- parts subject to normal wear and tear.

### The warranty does not extend to:

- shipping and packaging costs.
- using the tool for a purpose other than that for which it was designed.
- the use and maintenance of the machine done in a manner not described in the user manual.

Due to our policy of continuous product improvement, we reserve the right to alter or change specifications without notice. Consequently, the product may be different from the information contained therein, but a modification will be undertaken without notice if it is recognized as an improvement of the preceding characteristic.

### READ THE MANUAL CAREFULLY BEFORE USING THE MACHINE.

When ordering spare parts, please indicate the part number or code, you can find this in the spare parts list in this manual. Keep the purchase receipt; without it, the warranty is invalid. To help you with your product, we invite you to contact us by phone or via our website:

- **+33 (0)9.70.75.30.30**
- **<https://services.swap-europe.com/contact>**

You must create a "ticket" via the web platform.

- Register or create your account.
- Indicate the reference of the tool.
- Choose the subject of your request.
- Describe your problem.
- Attach these files: invoice or sales receipt, photo of the identification plate (serial number), photo of the part you need (for example: pins on the transformer plug which are broken).



# 15. PRODUCT FAILURE

## WHAT TO DO IF MY MACHINE BREAKS DOWN?

### **If you bought your product in a store:**

- a) Empty the fuel tank if your product has one.
- b) Make sure that your machine is complete with all accessories supplied, and clean! If this is not the case, the repairer will refuse the machine.

Go to the store with the complete machine and with the receipt or invoice.

### **If you bought your product on a website:**

- a) Empty the fuel tank if your product has one..
- b) Make sure that your machine is complete with all accessories supplied, and clean! If this is not the case, the repairer will refuse the machine.
- c) Create a SWAP-Europe service ticket on the site: <https://services.swap-europe.com> When making the request on SWAP-Europe, you must attach the invoice and the photo of the nameplate (serial number).
- d) Contact the repair station to make sure it is available before dropping off the machine.

Go to the repair station with the complete machine packed, accompanied by the purchase invoice and the station support sheet downloadable after the service request is completed on the SWAP-Europe site

For machines with engine failure from manufacturers BRIGGS & STRATTON, HONDA and RATO, please refer to the following instructions.

Repairs will be done by approved engine manufacturers of these manufacturers, see their site:

- <http://www.briggsandstratton.com/eu/fr>
- <http://www.honda-engines-eu.com/fr/service-network-page;jsessionid=5EE8456CF39CD572AA2AEEDFD290CDAE>
- <https://www.rato-europe.com/it/service-network>

**Please keep your original packaging to allow for after-sales service returns or pack your machine with a similar cardboard box of the same dimensions.**

**For any question concerning our after-sales service you can make a request on our website <https://services.swap-europe.com>**

**Our hotline remains available at +33 (9) 70 75 30 30.**



# 16. WARRANTY EXCLUSIONS

## THE WARRANTY DOES NOT COVER:

- Start-up and setting up of the product.
- Damage resulting from normal wear and tear of the product.
- Damage resulting from improper use of the product.
- Damage resulting from assembly or start-up not in accordance with the user manual.
- Breakdowns related to carburetion beyond 90 days and fouling of carburetors.
- Periodic and standard maintenance events.
- Actions of modification and dismantling that directly void the warranty.
- Products whose original authentication marking (brand, serial number) has been degraded, altered or withdrawn.
- Replacement of consumables.
- The use of non-original parts.
- Breakage of parts following impacts or projections.
- Accessories breakdowns.
- Defects and their consequences linked to any external cause.
- Loss of components and loss due to insufficient screwing.
- Cutting components and any damage related to the loosening of parts.
- Overload or overheating.
- Poor power supply quality: faulty voltage, voltage error, etc.
- Damages resulting from the deprivation of enjoyment of the product during the time necessary for repairs and more generally the costs related to the immobilization of the product.
- The costs of a second opinion established by a third party following an estimate by a SWAP-Europe repair station
- The use of a product which would show a defect or a breakage which was not the subject of an immediate report and/or repair with the services of SWAP-Europe.
- Deterioration linked to transport and storage\*.
- Launchers beyond 90 days.
- Oil, petrol, grease.
- Damages related to the use of non-compliant fuels or lubricants.

\* In accordance with transport legislation, damage related to transport must be declared to carriers within 48 hours maximum after observation by registered letter with acknowledgement of receipt.

This document is a supplement to your notice, a non-exhaustive list.

**Attention:** all orders must be checked in the presence of the delivery person. In case of refusal by the delivery person, it you must simply refuse the delivery and notify your refusal.

**Reminder:** the reserves do not exclude the notification by registered letter with acknowledgement within 72 hours.

**Information:** Thermal devices must be wintered each season (service available on the SWAP-Europe site). Batteries must be charged before being stored.



**HYUNDAI**  
POWER PRODUCTS

**For Inquiries, please contact:**

BUILDER SAS  
32, Rue Aristide Bergès Z1 31270 Cugnaux, France  
Tél.: +33(0)5.34.502.502 Fax : +33(0)5.34.502.503  
<http://www.hyundaipower-fr.com/>  
Fabriqué en République Populaire de Chine(PRC)